



SUEVIA

NIPPLE DRINKER FOR CALVES AND BULLS

SUEVIA Nipple Drinker for Calves and Bulls Model 326

Ref. 180.0326-1

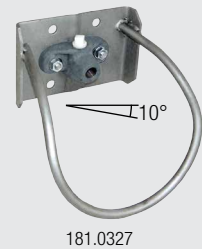
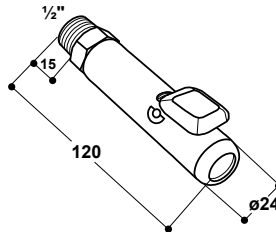
- Robust mouthpiece **made of stainless steel**
- Easy adjustment of water quantity to the existing water pressure by exchanging the enclosed nozzles
- ½" male connection
180.0326-1 Connection in brass
180.0330-1 Connection in stainless steel

ACCESSORIES:

- **Wall angle, cast iron** (Ref. 101.0328)
- **Protection bracket** for nipple drinker for calves and bulls, galvanized (Ref. 181.0327), inclusive mounted wall angle Model 328, made of cast iron, with ½" connection possibility from top and bottom, suited for wall and pipe fixation, inclination 10°
- **1 double bracket** (Ref. 101.0179), for fixation on 1¼" – 2" pipes
- **¾" Circuit pipe in stainless steel**, with 2 female exits ½", 2 male connections ¾" (Ref. 103.2007)

RECOMMENDED FOR:

Calves, bulls, sows, boars



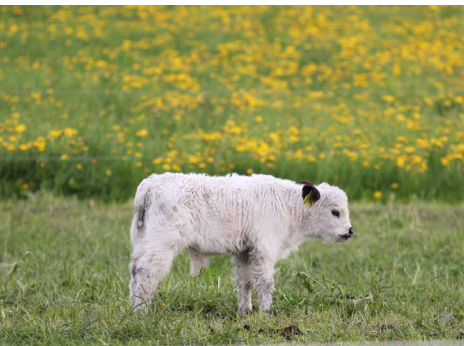
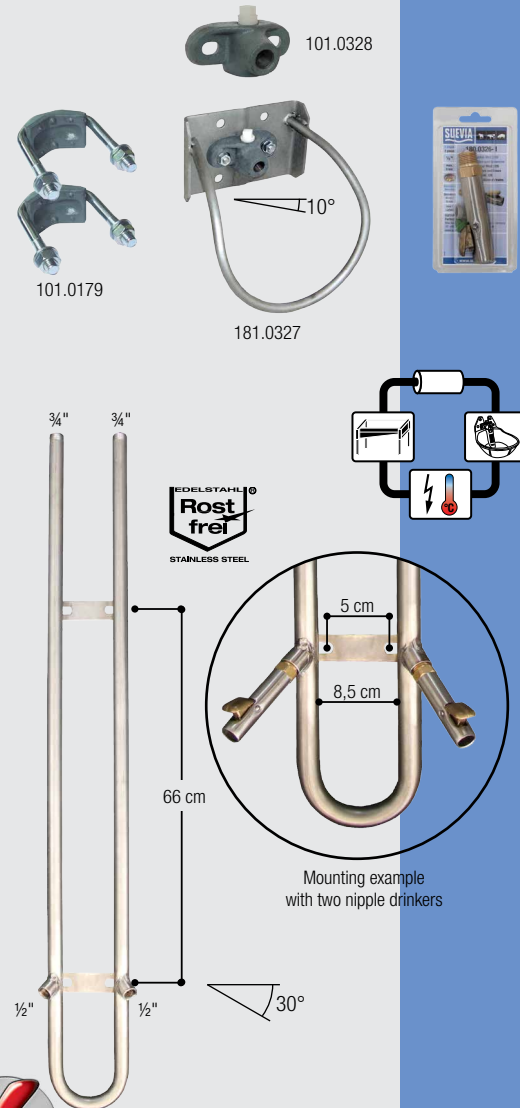
Ref.	Type	Packing Hints
180.0326-1	Nipple drinker Mod. 326-MS½" (1 piece in blister)	1
180.0330-1	Nipple drinker Mod. 326-VA½" (1 piece in blister)	1
181.0327	Protection bracket, galvanized, incl. wall angle	1 piece
101.0179	Double bracket 1¼" – 2"	1 set/bag
101.0328	Wall angle Mod. 328, Exit 1x ½", 10°	1 piece
103.2007	Circuit pipe in stainless steel ¾", 2 female exits ½", 2 male connections ¾"	1 piece

Circuit pipe in stainless steel ¾" for 2 nipple drinkers

Ref. 103.2007

- **Circuit pipe in stainless steel ¾", with 2 female exits ½"**
- 2 male connections ¾" (on the top)
- For connection of two nipple drinkers Mod. 326 (Ref. 180.0326-1) to the circuit and in combination with a SUEVIA heating unit (see pages 28 – 31)
- With two fixing plates
- H x w: approx. 120 x 14 cm
- A protection bar (provided on site) must be installed (e.g. for bulls)

Ref.	Type	Packing Hints
103.2007	Circuit pipe in stainless steel ¾", 2 female exits ½", 2 male connections ¾"	1 piece
180.0326-1	Nipple drinker Mod. 326 (1 piece in blister)	1



INSIDER TIP!

SUEVIA nipple drinker for calves and bulls should be mounted approximately 20-30 cm over the animal's back. Thus the animal stretch their neck when drinking and water losses are reduced to a minimum.