



FROST-PROTECTED NIPPLE DRINKER FOR BULLS AND CALVES

Pat.

Drinking Bowl Model 1230-VA $\frac{3}{4}$ ", integrated steel post, 60 cm integrated steel post, 80 cm

Ref. 100.1238

Ref. 100.1239

- Robust Steel Post helps to protect drinking bowls against blows and impacts of bulls (or other animals). The force of jumping bulls is transferred to the post, preventing a crash of the drinking bowl.
- Made of thick hot-galvanized steel
- Bowl and valve out of steel, **drinking height 60 cm or 80 cm**.
- Drinking Bowl builds one unit with integrated steel post
- Mounting on a wall or on a post possible
- Special holes are foreseen for installation between the gates, as well as for mounting of the heating element and of the circuit pipe.

ACCESSORIES:

- Frost protection options, see below.

RECOMMENDED FOR:

Bulls, cattle, dry cows. Without nose ring. Horses.

Options for Frost Protection

Option 1: Connection to a Water Circuit

- In combination with a SUEVIA **connection set for $\frac{3}{4}$ " water circuits** in stainless steel, an easy integration into water circuits is possible. A perforated hole (on left or right side) is foreseen for installation of the circuit pipe. Circuit pipe is protected by the steel post against animals impacts.
- Valve is frost-protected. Remaining water in the bowl may freeze.
- For connection to a water circuit we recommend SUEVIA **heating units** (see p. 28-31).

Option 2: Frost-free with heating set, feed pipe connection from below

- To protect the valve and the bowl from freezing a **Heating Set 24 V, 80 W** is installed inaccessible for the animals **inside of the steel post underneath the bowl Mod. 1230-VA $\frac{3}{4}$ "**
- Valve and bowl are frost-protected.
- To ensure a frost-free feed pipe, a **frost protection heating cable 24 V, 20 W, 2 m** (Ref. 101.0861), or a **24 V, 30 W, 3 m** (Ref. 101.1863) has to be wrapped around the water pipe and connected to the transformer together with the heating element of the drinker. If plastic pipes are used, they must first be wrapped with an aluminium adhesive tape. All water line pipes must be insulated.
- For power supply a SUEVIA **Transformer 230/24 V** is necessary. For automatic switch on/off of transformer a **thermostat** (Ref. 101.0389) can be additionally installed.

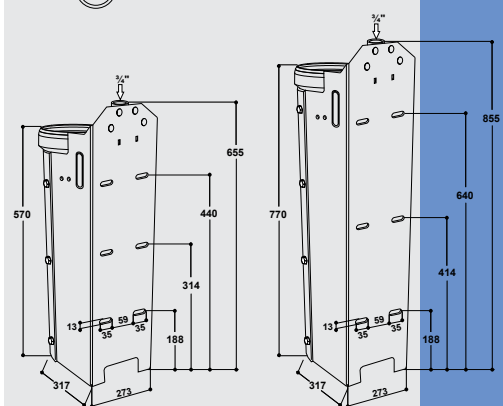
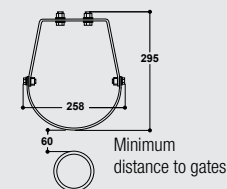
Ref.	Type	Packing Hints
100.1238	Drinking Bowl Mod. 1230-VA $\frac{3}{4}$ ", integrated steel post, 60 cm	1 piece
100.1239	Drinking Bowl Mod. 1230-VA $\frac{3}{4}$ ", integrated steel post, 80 cm	1 piece
103.3002	Connection set for $\frac{3}{4}$ " water circuits	1 piece
101.0458	Heating Set for drinking bowl Mod. 1230-VA $\frac{3}{4}$ ", 24 V, 80 W	1 piece

Accessories for steel posts with heating sets:

101.0380	Transformer 230/24 V, 100 W	1 piece/box
101.0390	Transformer 230/24 V, 200 W	1 piece/box
101.0392	Transformer 230/24 V, 400 W	1 piece/box
101.0861	Frost protection heating cable, 24 V, 20 W, 2 m	1 piece
101.1863	Frost protection heating cable, 24 V, 20 W, 3 m	1 piece
101.1099	Aluminium adhesive tape, 50 mm wide, 50 m	50 m/roll
101.0389	Thermostat	1 piece/box



100.1239 + Accessories for circuit pipe and heating element



100.1238

100.1239