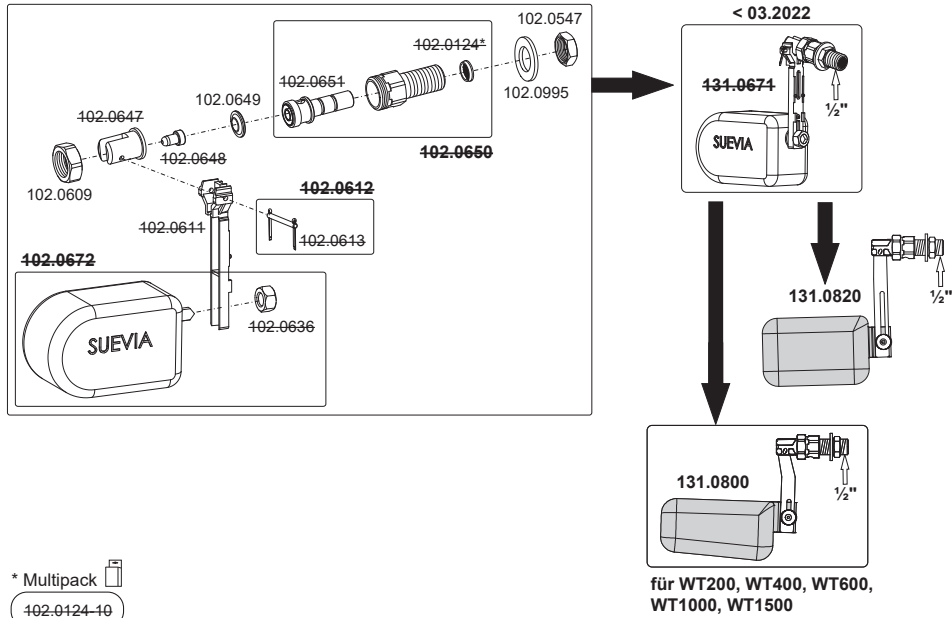
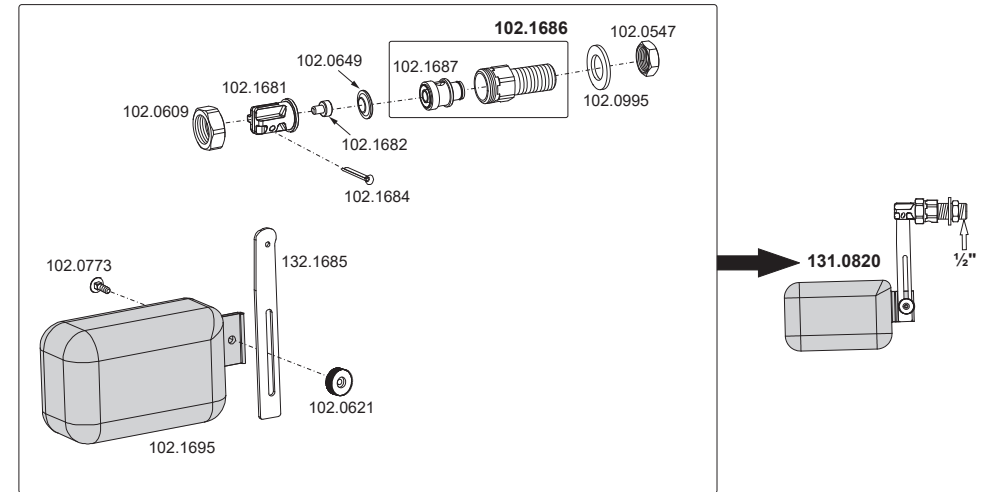


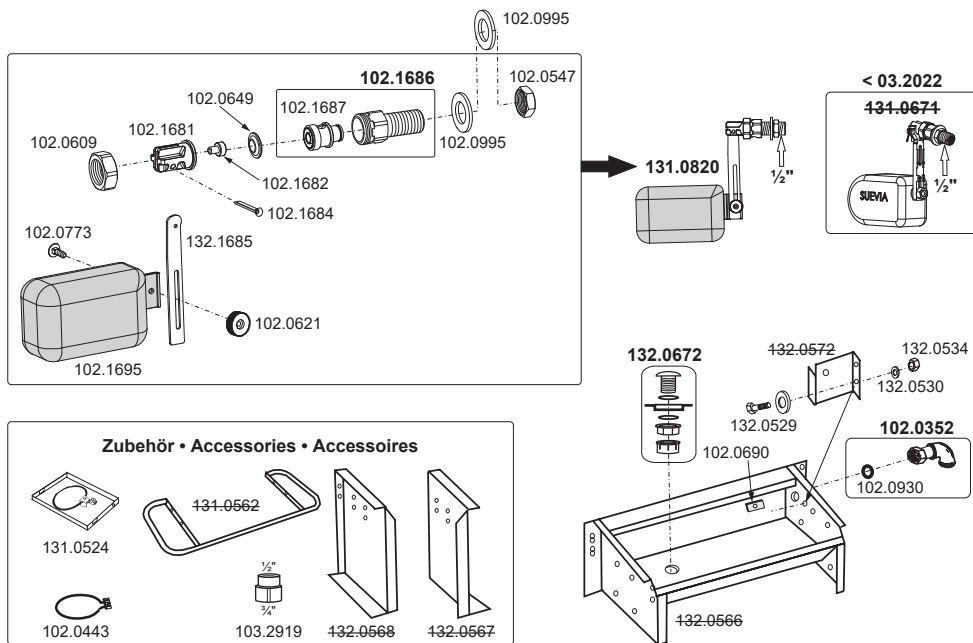
131.0671 Mod. 671



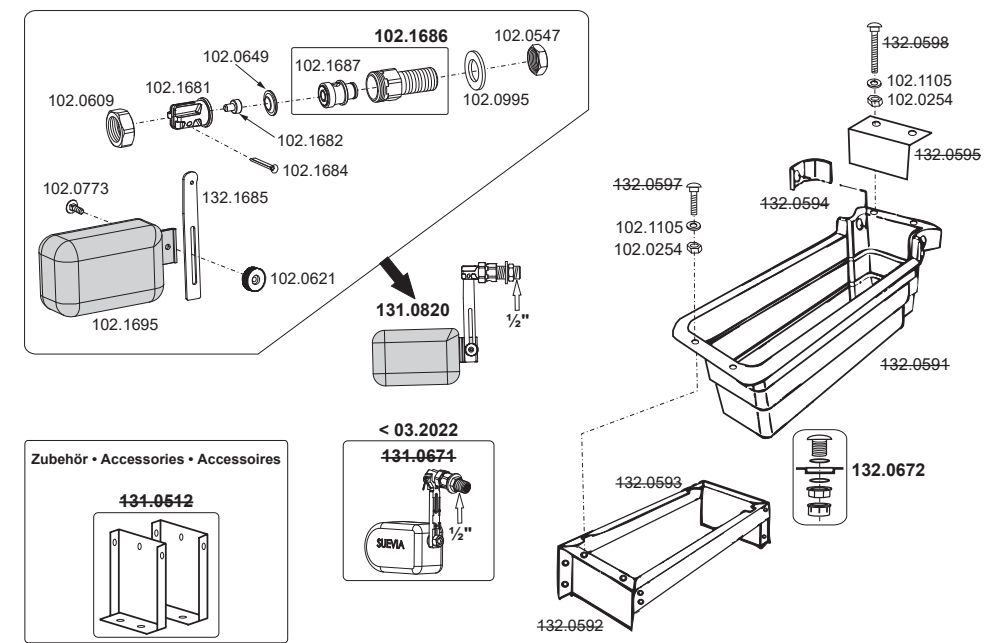
131.0820 Mod. 820



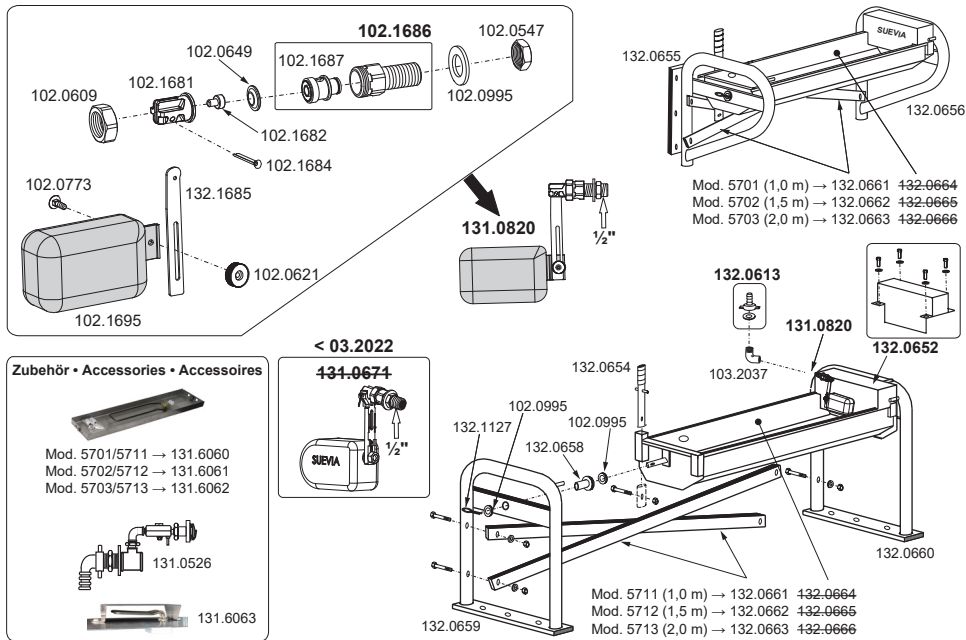
130.0560 Mod. 560



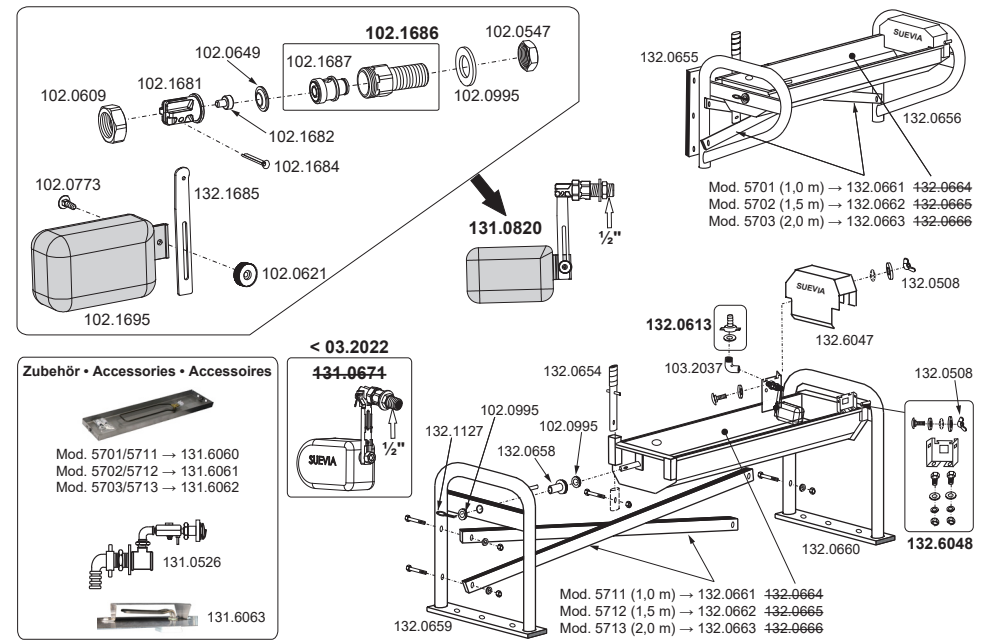
130.0590 Mod. 590



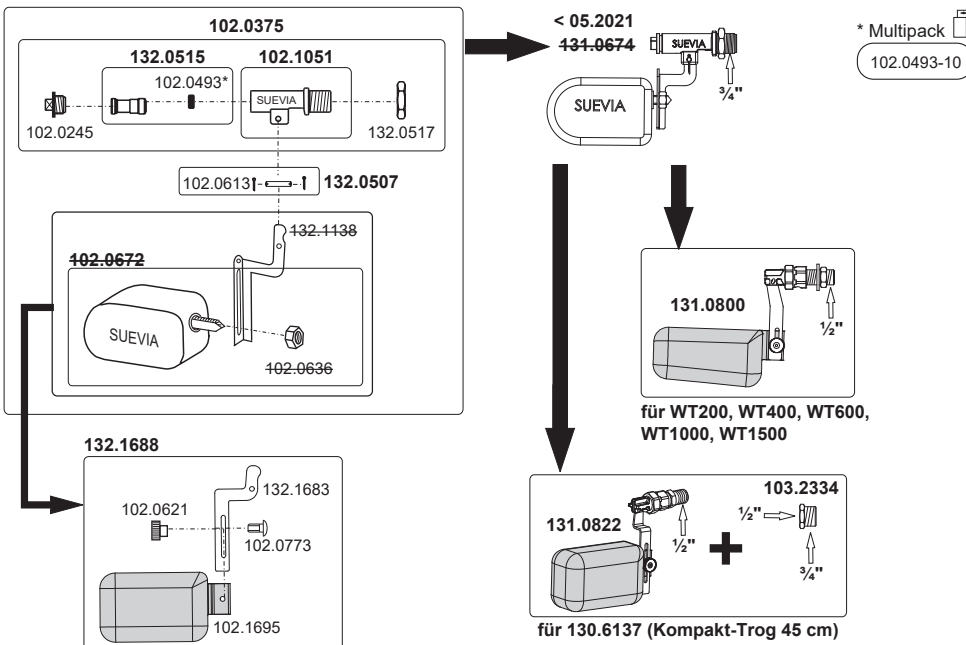
130.5701, 130.5702, 130.5703 130.5711, 130.5712, 130.5713 (<06.2006)



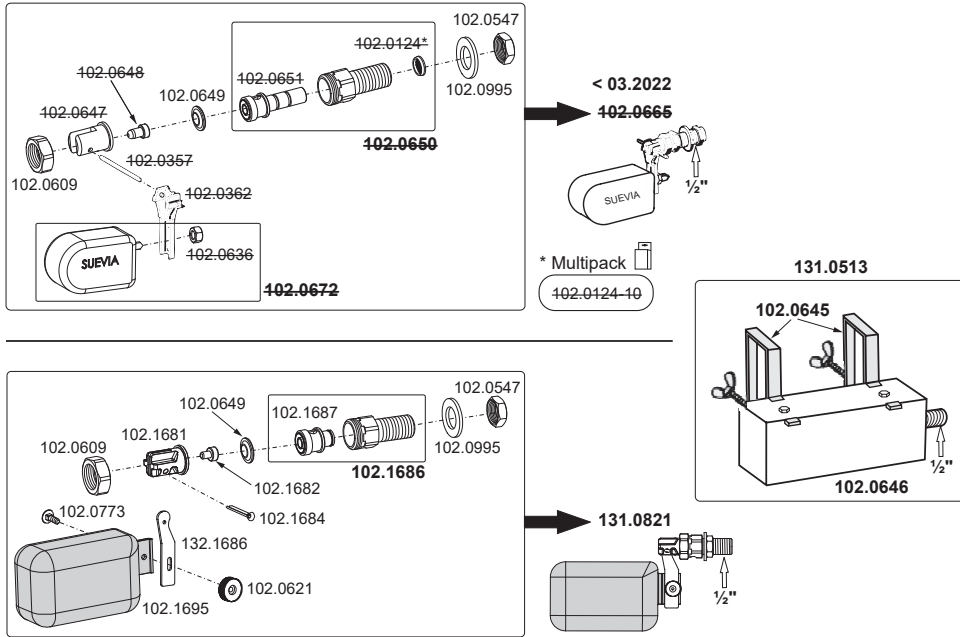
130.5701, 130.5702, 130.5703 130.5711, 130.5712, 130.5713



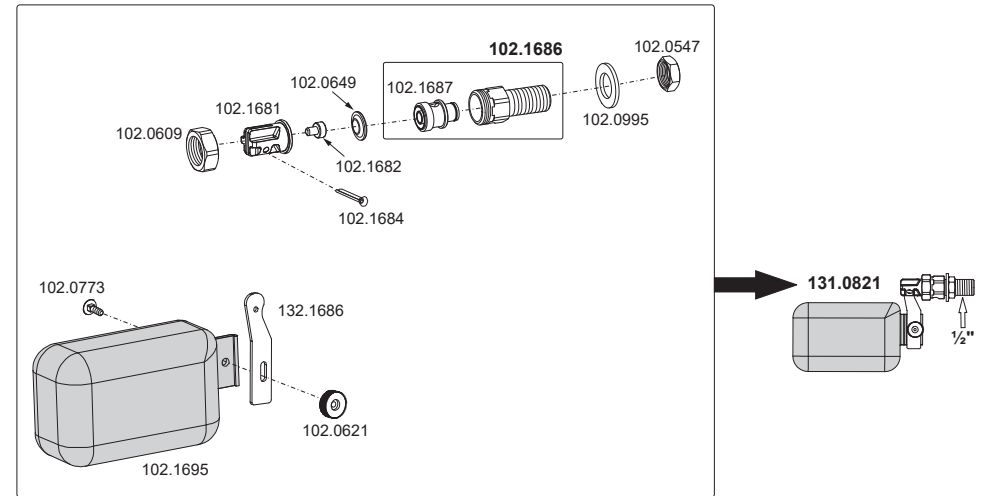
131.0674 Mod. 674



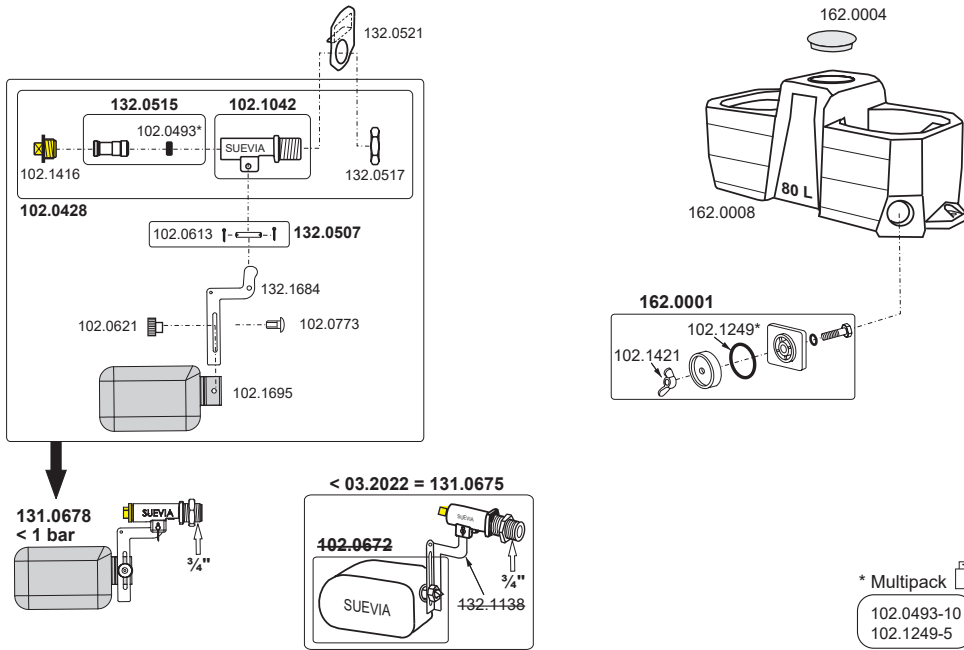
131.0513 Mod. 513



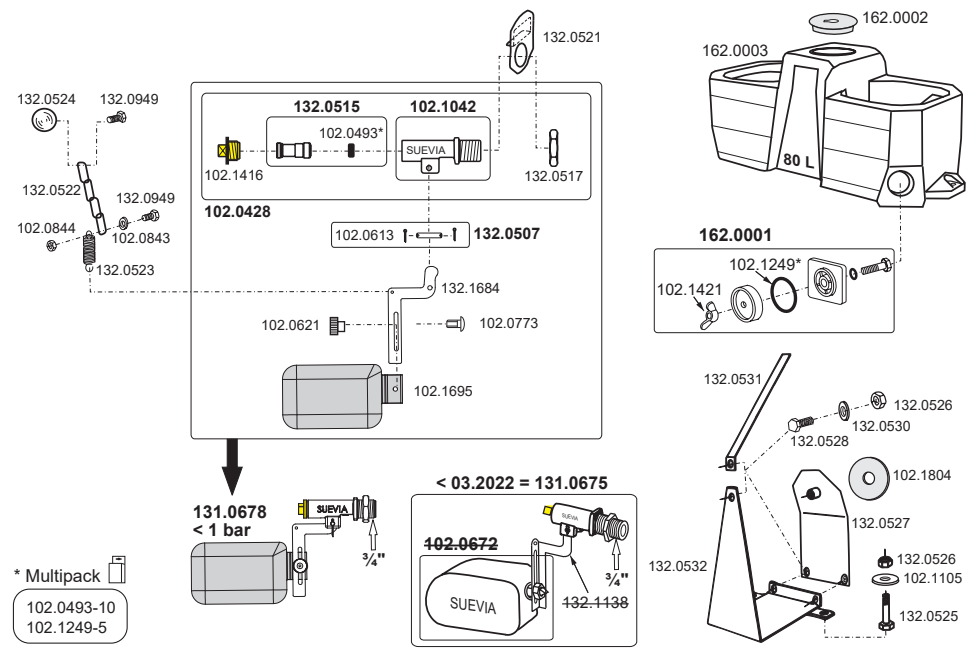
131.0821 Mod. 821



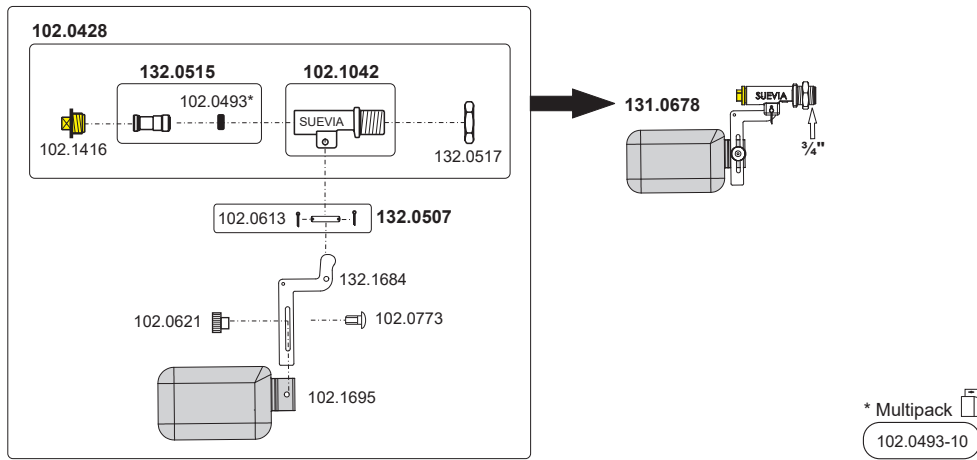
160.0106 Mod. WT80-N (<1 bar)



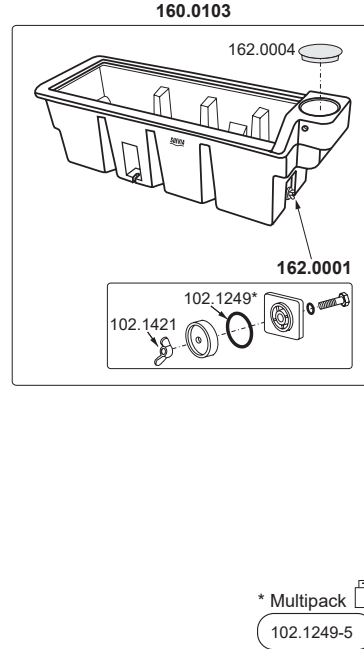
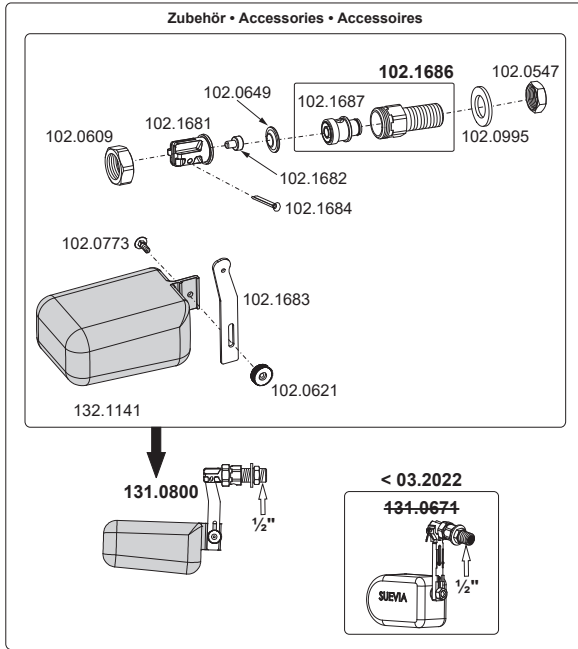
160.0280 Mod. FT80 (<1 bar)



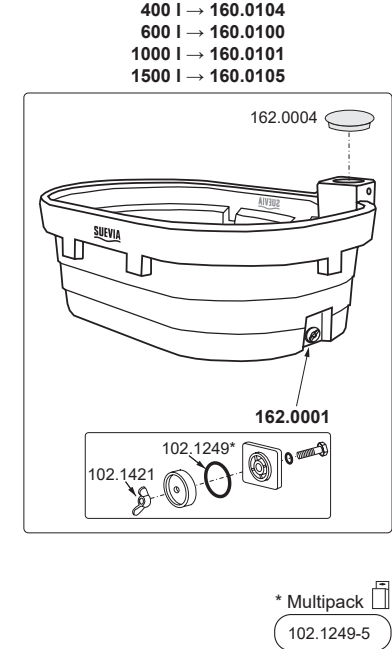
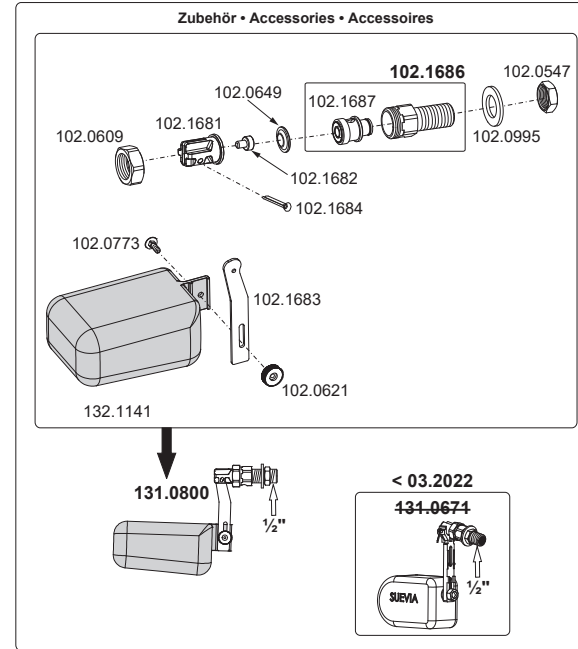
131.0678 Mod. 678



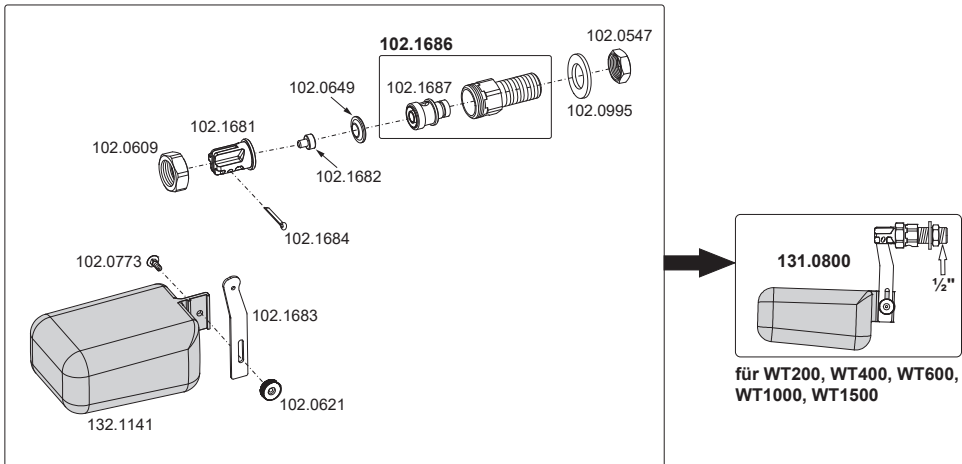
160.0103 WT200



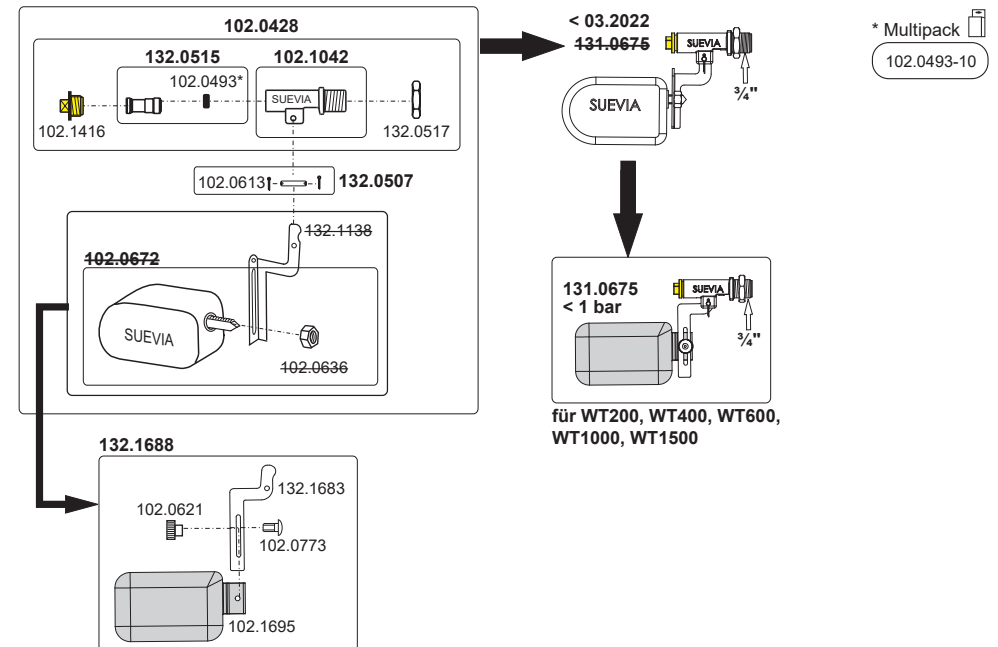
160.0100, 160.0101, 160.0104, 160.0105 - Mod. WT400, WT600, WT1000, WT1500



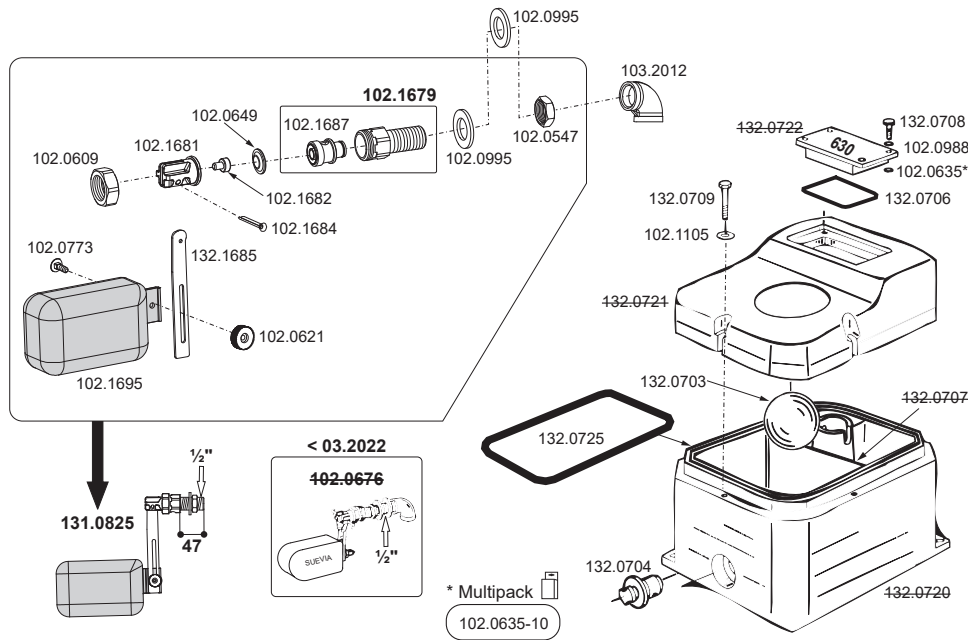
131.0800 Mod. 800



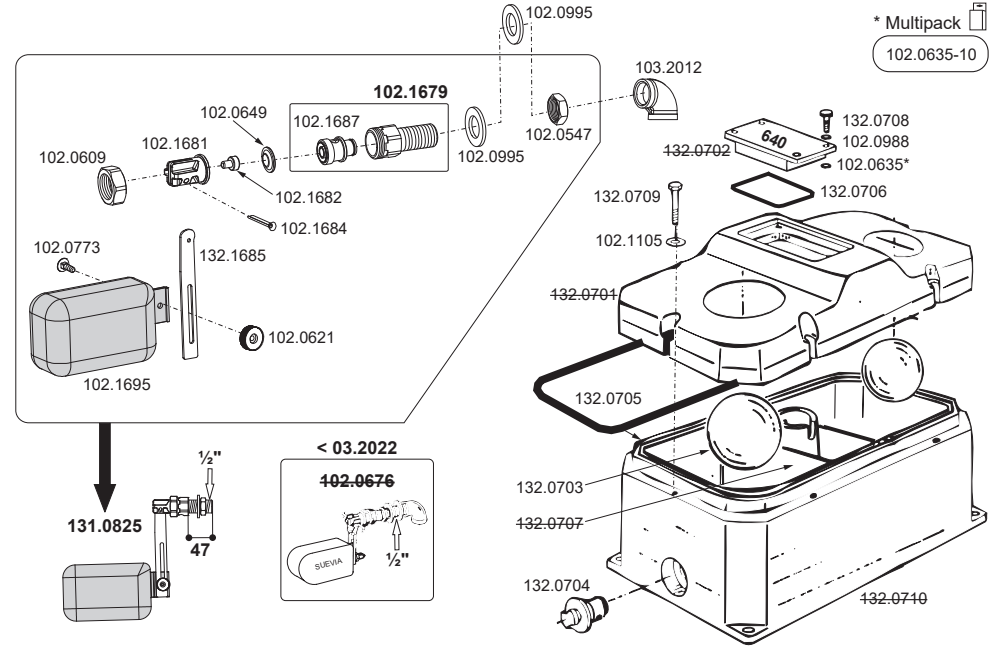
131.0675 Mod. 675



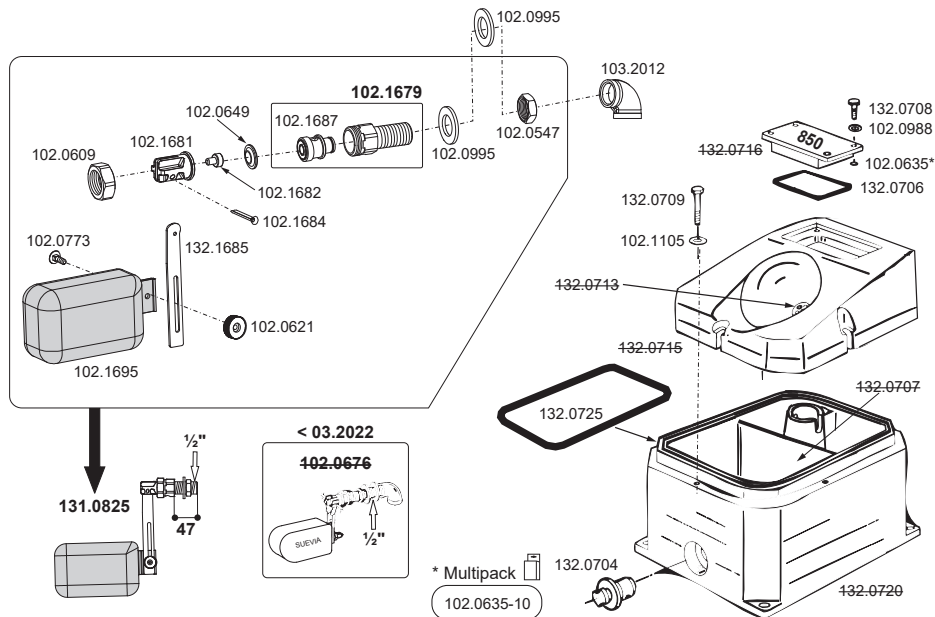
130.0630 Mod. 630 (< 12.2010)



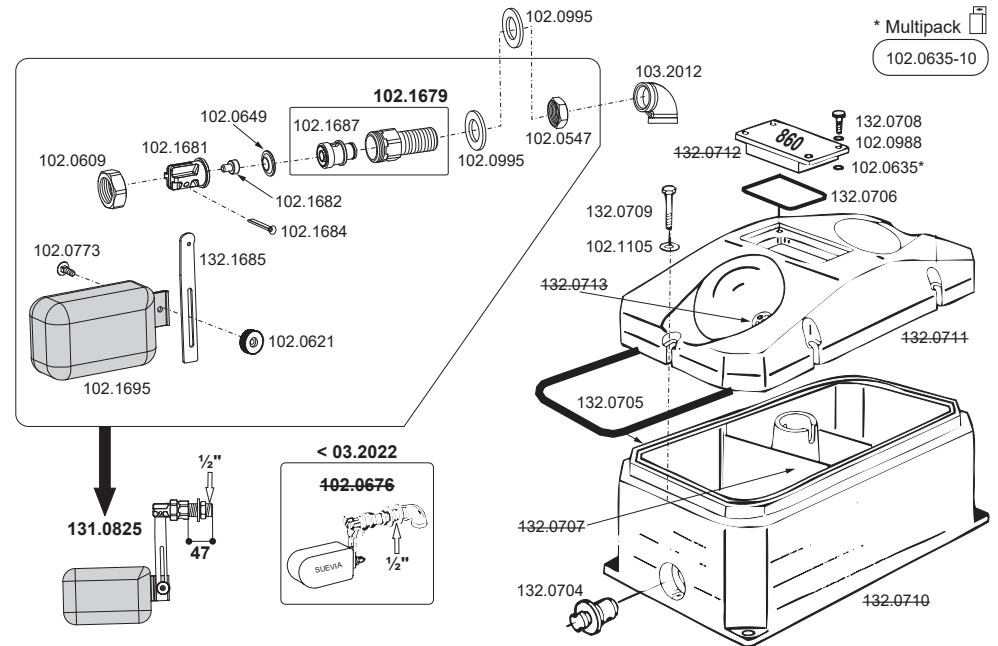
130.0640 Mod. 640 (< 11.2010)



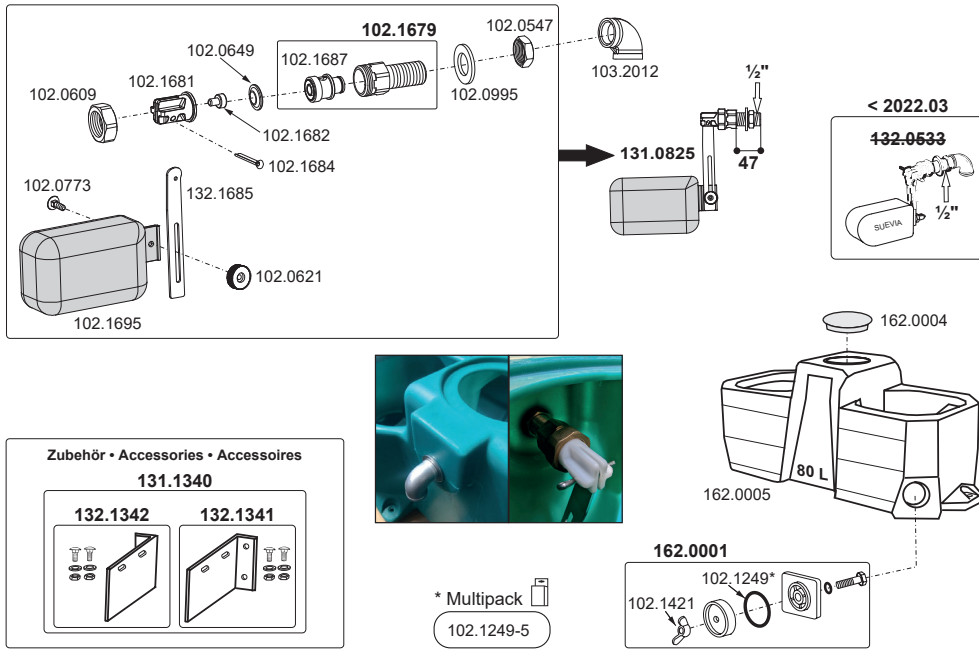
130.0850 Mod. 850 (< 11.2010)



130.0860 Mod. 860 (< 11.2010)



160.0102 WT80



131.0825 Mod. 825

