



## DRINKING BOWLS FOR SHEEP AND GOATS



### Trough in Stainless Steel for sheep and goats

- Trough for wall fixation
- Completely made of **stainless steel**
- For 50 – 80 sheep / goats
- **With float valve - constant water level**
- According to water pressure, water flow up to 5 l/min
- ½" lateral male connection, possible from left or right
- Integrated drainage hole for quick evacuation
- Contents 7/13 l (2/3,5 gallons)

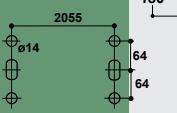
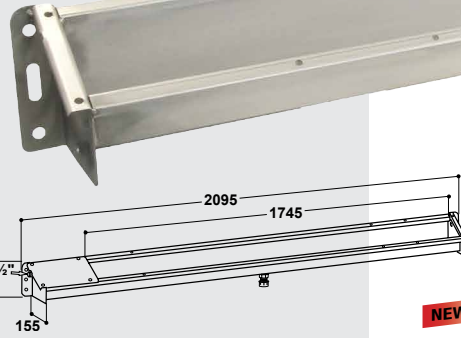
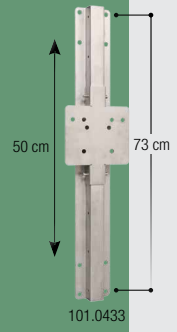
#### ACCESSORIES:

- **Heating element** 24 V, 180 W (131.6057)
- **Height regulation without tools in stainless steel** (101.0433, 2 pcs.)
- **¾" circuit connection set** (103.3010)



#### RECOMMENDED FOR:

Sheep, goats



Ref.	Type	Packing Hints
130.6153	Trough in stainless steel 1,2 m, for sheep and goats	1 piece
130.6155	Trough in stainless steel 2,1 m, for sheep and goats	1 piece
101.0433	Height regulation without tools, in stainless steel	1 piece
131.6057	Heating element with fixation, 24 V 180 W, for 130.615x	1 piece
103.3010	¾" circuit connection set for 130.615x	1 set/bag

**NEW!**

### Trough in Stainless Steel for sheep and goats

- Trough for wall fixation
- Completely made of **stainless steel**
- For up to 20 (130.6171), 50 (130.6173) or 100 sheep / goats (130.6175)
- With float valve - constant water level, water flow **up to 40 l/min**
- ¾" lateral male connection on right side
- **Float valve cover can be pivoted upwards without use of tools**
- Integrated drainage hole Ø 60 mm for quick evacuation

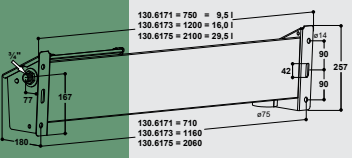
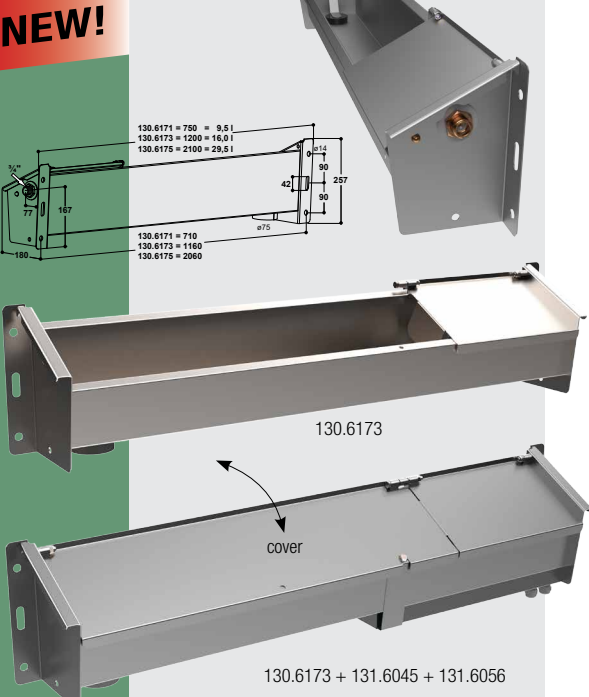
#### ACCESSORIES:

- **Cover:** protects the water when the stable is covered with straw
- **Heating element 24 V, 180 W** (131.6056)
- **¾" circuit connection set** (103.3008)



#### RECOMMENDED FOR:

Sheep, goats



Ref.	Type	Packing Hints
<b>NEW!</b> 130.6171	Trough in stainless steel 0,75 m	1 piece
<b>NEW!</b> 131.6044	Cover for 130.6171, stainless steel	1 piece
<b>NEW!</b> 130.6173	Trough in stainless steel 1,2 m	1 piece
<b>NEW!</b> 131.6045	Cover for 130.6173, stainless steel	1 piece
<b>NEW!</b> 130.6175	Trough in stainless steel 2,1 m	1 piece
<b>NEW!</b> 131.6046	Cover for 130.6175, stainless steel	1 piece
<b>NEW!</b> 131.6056	Heating element 24 V, 180 W, for 130.617x	1 piece
<b>NEW!</b> 103.3008	¾" circuit connection set for 130.616x, 130.617x	1 set/bag