



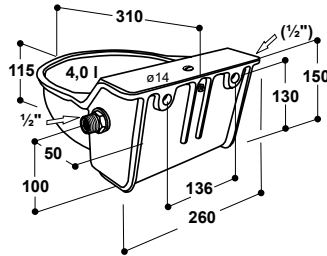
DRINKING BOWLS FOR SHEEP AND GOATS

Drinking Bowl with Float Valve

Model 340 (cast iron, enamelled) for max. 5 bar

Ref. 100.0340

- Large bowl made of **cast iron, black enamelled**
- Float valve allowing quick water flow
- Removable cover in stainless steel
- No sharp edges, no risk of injury!
- Constant water level – simple adjustment
- ½" male connection, from left or right hand side



102.0352

ACCESSORIES:

- **Elbow union** ½" x ½" f/f (102.0352)
- **Height regulation** (101.0433)

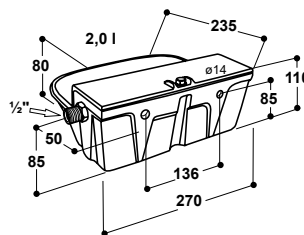
RECOMMENDED FOR: Sheep, goats, dogs, deer, horses, calves, cattle (with anti-suction ring), bulls (with nose ring)

Drinking Bowl with Float Valve

Model 350 (cast iron, enamelled inside) 5 bar

Ref. 100.0350

- Large bowl made of **cast iron, white enamelled inside**
- Float valve allowing quick water flow
- Removable cover
- No sharp edges, no risk of injury!
- Constant water level – simple adjustment
- ½" male connection, from right hand side



102.0352

ACCESSORIES:

- **Elbow union** ½" x ½" f/f (102.0352)
- **Height regulation** (101.0433)

RECOMMENDED FOR: Sheep, goats, dogs

Height regulation without tools in stainless steel

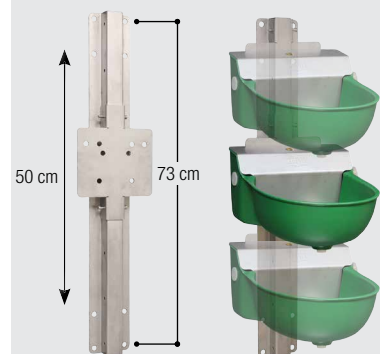
Ref. 101.0433

- **Completely made of stainless steel**
- Length 75 cm, adjustable height range 50 cm, in 10 cm-steps
- Enables to adjust the height of drinking bowls **without tools**
- For drinking bowls Model 127K, 130P, 130P-N, 340, 350, 370, 375
- Connection to water line by means of a flexible tube

102.0352



STAINLESS STEEL



101.0433

101.0433

Height regulation with Mod.130P

Ref.	Type	Packing Hints
100.1250	Drinking bowl Mod. 125	1 piece/box
NEW! 100.1270	Drinking bowl MINICUP, Mod. 127K	1 piece
100.0130	Drinking bowl Mod. 130 P	1 piece
100.0131	Drinking bowl Mod. 130 P-N	1 piece
100.0340	Drinking bowl Mod. 340	1 piece/box
100.0350	Drinking bowl Mod. 350	1 piece
101.0433	Height regulation without tools, in stainless steel	1 piece
102.0352	Elbow union with sealing, ½" female x ½" female	1 piece/bag

