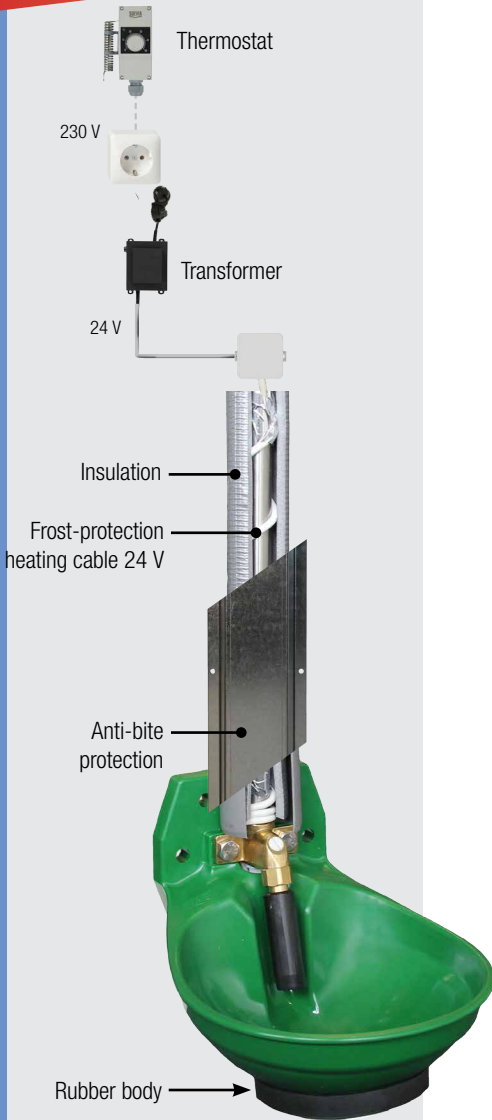




HEATED DRINKING BOWLS FOR CALVES AND HORSES

**FROST-FREE
DOWN TO -20°C**



101.0167

101.0167

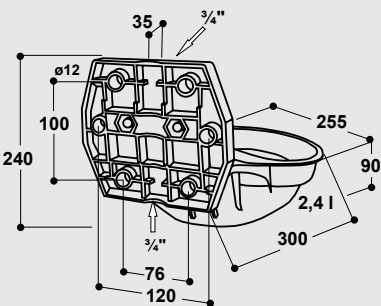


102.1127



103.1957

Installation Scheme Mod. 12P-HK
Please adhere to mounting instructions!



Heated Drinking Bowl for Calves and Horses Model 12P-HK with 3/4" brass valve

Ref. 100.0124

- Frost protection of the bowl, of the valve and of the feed pipe is done by a 3 m long frost protection heating cable 24 V, 30 W, included in scope of delivery
- The frost protection heating cable can be found in windings beneath the bowl in a flexible rubber body. An aluminium foil fixed at the bottom of the bowl provides a constant heat distribution.
- Frost protection for the valve itself is guaranteed by three tightly fitted windings above the valve
- With the rest of the heating cable of approx. 2 m the feed pipe is maintained frost-free in addition. It should be insulated and protected against bites.
- **Frost protection down to approx. -20°C.** Remaining water in the bowl will not freeze!
- For power supply a SUEVIA transformer 230/24 V is necessary (versions from 50 W to 400 W available)
- Bowl made of **top quality AQUATHAN** plastic
- Very elastic, flexes on impacts, shock-resistant
- **No sharp edges**, no risk of injury
- Smoothly running brass tube valve (3/4")
- 3/4" female connection from top and bottom
- **Water flow continuously adjustable from outside by means of a regulation screw**
- Calm water flow through the tube valve

ACCESSORIES:

- **SUEVIA Transformers 230/24 V:**
 - 50 W (Ref. 101.0322)
 - 100 W (Ref. 101.0380)
 - 200 W (Ref. 101.0390)
 - 400 W (Ref. 101.0392)
- **Thermostat** (Ref. 101.0389), for automatic switch on/off of transformer
- **2 Fixing brackets** (Ref. 101.0167, reinforcing plate incl.) for fixation on pipes 1 1/2" – 2"
- **Resettable Water Meter RW1** (Ref. 101.0444) for easy control of water intake of the horse per day.

RECOMMENDED FOR:

Horses, Calves up to 6 months

Ref.	Type	Packing Hints
100.0124	Heated Drinking Bowl Mod. 12P-HK-MS3/4"	5 pieces/box
101.0322	Transformer 230/24 V, 50 W	1 piece/box
101.0380	Transformer 230/24 V, 100 W	1 piece/box
101.0390	Transformer 230/24 V, 200 W	1 piece/box
101.0392	Transformer 230/24 V, 400 W	1 piece/box
101.0389	Thermostat	1 piece/box
101.0167	Fixing bracket 1 1/2" – 2", reinforcing plate incl.	1 piece
102.1127	Connection pipe stainless steel 3/4", 19 cm, straight, m, m	1 piece
103.1957	Protection plate, galvanized, 100 x 11 x 8 cm	1 piece
101.0444	Resettable Water Meter RW1	1 piece/box



Rubber body with heating cable



View from beneath



101.0444
Water Meter



Turnable Display