



DRINKING BOWLS FOR SOWS AND BOARS



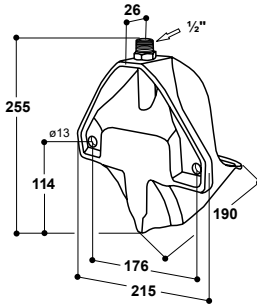
Drinking Bowl Model 96 with stainless steel valve

Ref. 100.0969

- For sows and boars
- Large drinking bowl made of **cast iron, completely enamelled, robust quality and hygienic surface!**
- Solid tube valve in stainless steel
- **Water flow continuously adjustable** from outside by means of a regulation screw
- ½" male connection from the top

RECOMMENDED FOR:

Sows, boars



Ref.	Type	Packing Hints
100.0969	Drinking bowl Mod. 96-VA, stainless steel valve	1 piece/box

Drinking Bowl Model 76 Drinking Bowl Model 76U

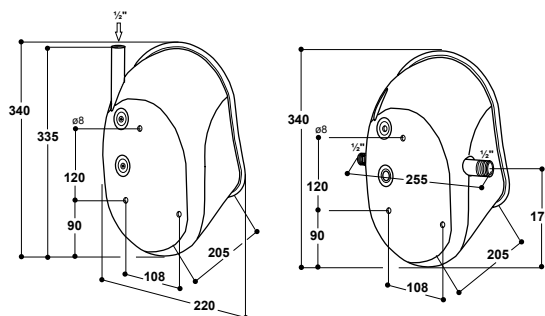
Ref. 100.0768

Ref. 100.0767

- For **sows and boars** (or weaned piglets till fattening)
- Drinking bowl made of **first-class stainless steel**
- Deep bowl and offset pin valve reduce water wastage to a minimum
- **Hooded bowl design avoids fouling**
- Smoothly running pin valve in stainless steel with 3 water flow adjustment possibilities, which enables a quick and exact adjustment of water flow
- Mod. 76: ½" female connection from the top
- Mod. 76U: ½" male stainless steel horizontal connection pipe for installation into water circuits. Frost-free in combination with SUEVIA heating unit Model 300/303, 311 or 312

RECOMMENDED FOR:

Sows, boars



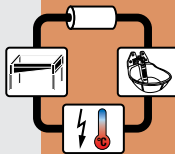
100.0768



100.0767



STAINLESS STEEL



Ref.	Type	Packing Hints
100.0768	Drinking bowl Mod. 76, stainless steel	1 piece/bag
100.0767	Drinking bowl Mod. 76U, stainless steel	1 piece/bag

