



## TIP-OVER TROUGH FOR PIGLETS



### Tip-Over Trough for Piglets

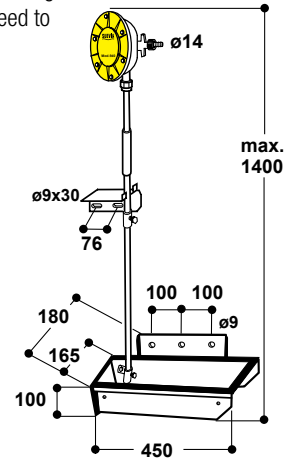
#### Model 899 with stainless steel trough

Ref. 130.0899

- Ideal for weaned piglets up to 35 kg
- Sufficient for 20 –30 animals. When used in bigger groups we recommend this trough in addition to SUEVIA Drinking Bowls or SUEVIA Nipple Drinkers
- Inclusive SUEVIA Vacuum Valve Model 940 and trough, which can be tipped over
- Lifting up the trough, dirt particles are flushed out of the trough by running water from the vacuum valve
- After weaning the **young piglets can drink immediately**, finding a bowl filled with water at their free disposal – they do not need to push the valve!
- Hose connection 14 mm with integrated quick shut-off-valve
- **Simple and easy cleaning due to tip-over-action**
- Water level continuously adjustable
- For water pressure from 1 – 5 bar
- Easy wall mounting
- Contents approx. 2,7 l

#### RECOMMENDED FOR:

Weaned piglets up to 35 kg



Ref.	Type	Packing Hints
130.0899	Tip-over trough for piglets Mod. 899, stainless steel trough	1 piece



#### INSIDER TIP!

With this simple drinking place even the weakest piglets have a chance to get some water to drink!

